



## *Simply The Best*

Our line of beautifully crafted polymer outdoor cabinetry is made to last a lifetime. We use all stainless hardware which does not degrade in the harshest conditions. Our mortise and tenon cabinet construction, backed up with stainless screws, make for the strongest outdoor cabinets available. Our true recessed panel door styles are one of the signature features of Nautilus cabinetry. Their clean, crisp corners provide a refined appearance found in no other outdoor, polymer cabinetry. We offer more door styles and colors than any other outdoor kitchen line and we stand behind our product with conviction and a lifetime warranty. We believe that we offer a product that is simply the best.



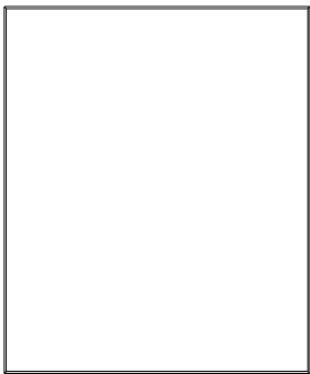
# Premium Polymer Door Styles

## TRUE "RECESSED PANEL"

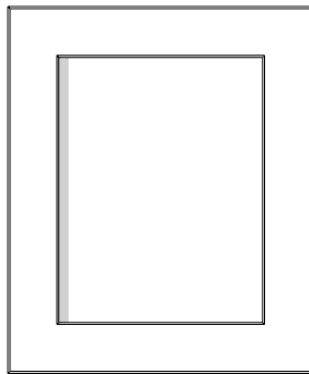
---

Our beautifully crafted recessed panel doors are designed to add a more sophisticated traditional look to our kitchens. We also offer contemporary slab style doors for a cleaner look.

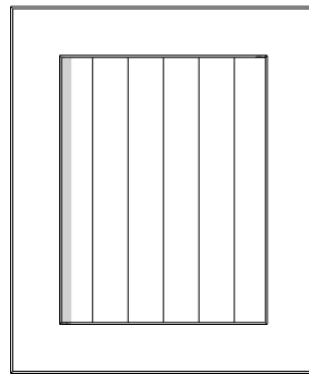
**TIP:** Use a recessed panel door to finish the exposed ends of your kitchen for a higher level of detail and beauty.



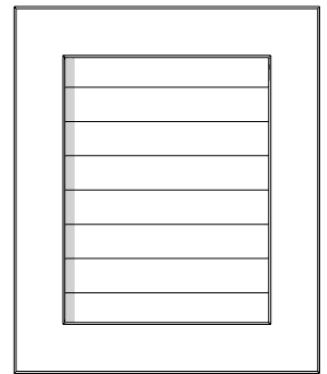
**SLAB**



**MANHATTAN**



**CAMDEN**



**BAHAMA**

# POLYMER DOOR COLORS



# Colored Glass Doors

---

## BACK PAINTED GLASS GIVES A SLEEK CONTEMPORARY HIGH GLOSS LOOK

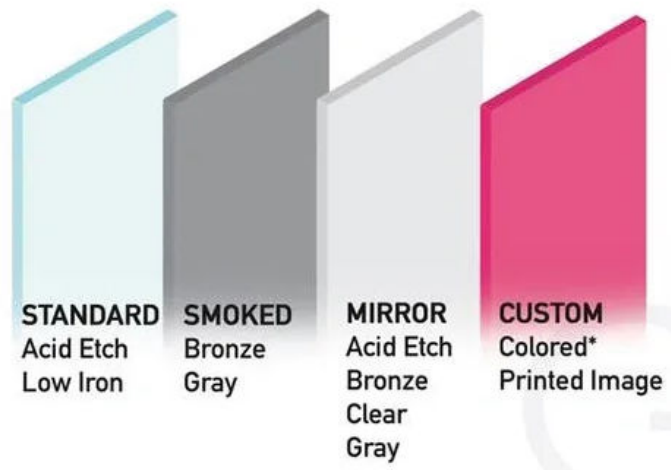
---

Our colored glass doors are available in many colors and frame styles to achieve the look our clients desire.

---

## GLASS STYLE OPTIONS

---

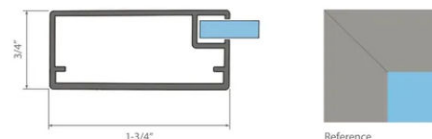


# Colored Glass Doors

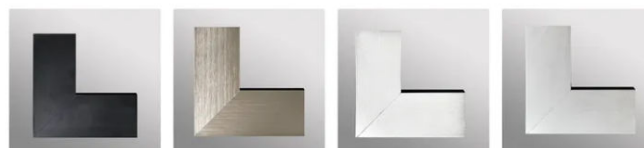
## DOOR FRAME OPTIONS



MODEL P1010



Colors



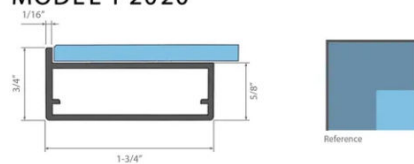
Black Matte

Bruno Oliva

Chrome

Clear Anodised

MODEL P2020



Colors



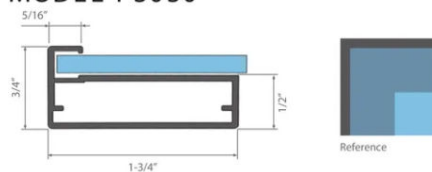
Black Matte

Bruno Oliva

Bronze

Clear Anodised

MODEL P3030



Colors



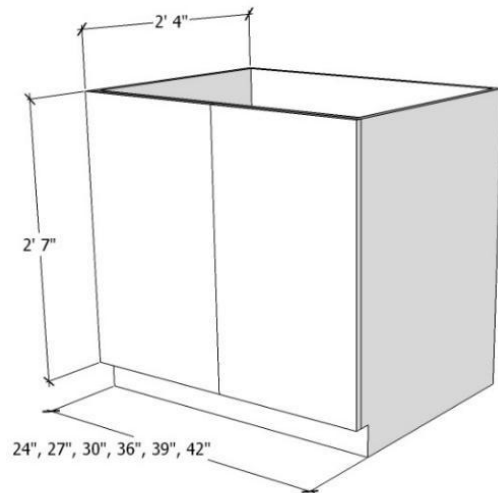
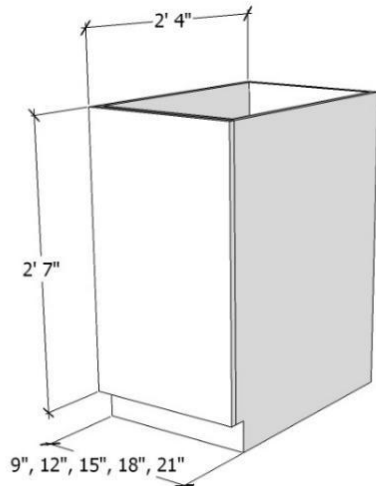
Black Matte

Bruno Oliva

Clear Anodised

# CABINETS

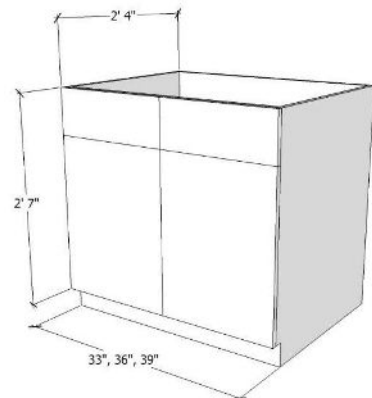
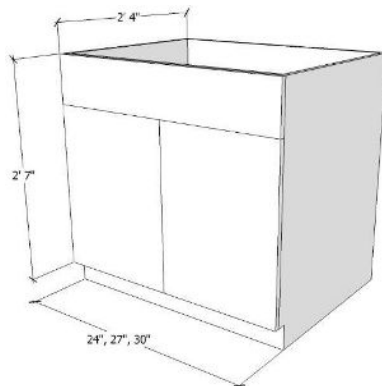
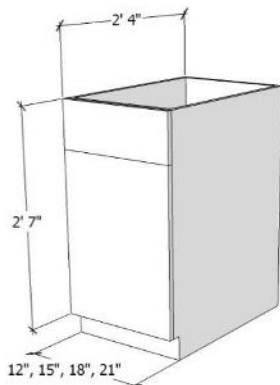
---



## FULL HEIGHT DOOR CABINETS

---

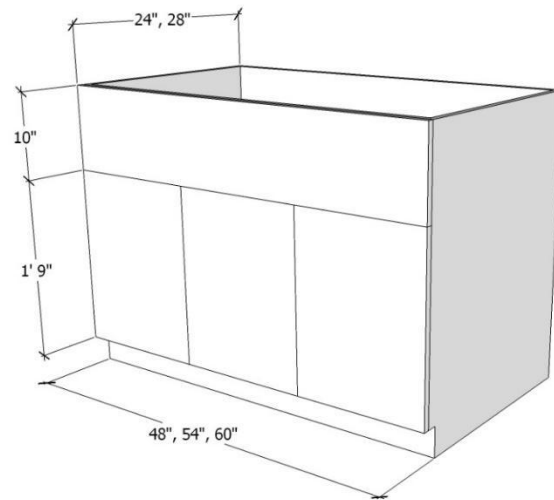
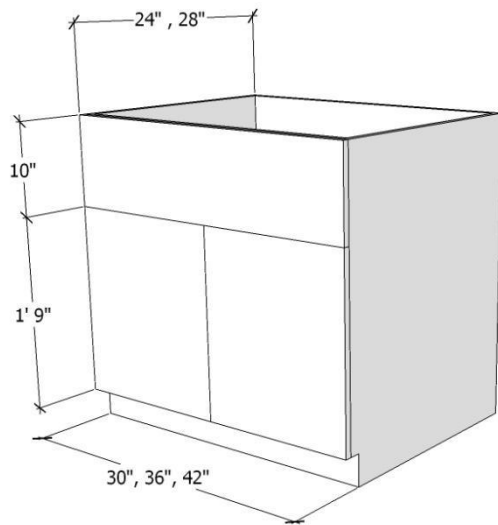
Our Full Height Door cabinets are made to last a lifetime. The 31" tall doors offer plenty of storage and these cabinets feature (1) 12" adjustable shelf. All sizes are available in both 24" and 27" depths.



## DOOR / DRAWER BASE CABINETS

---

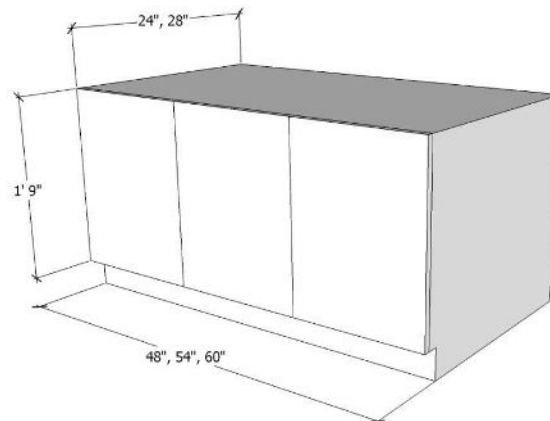
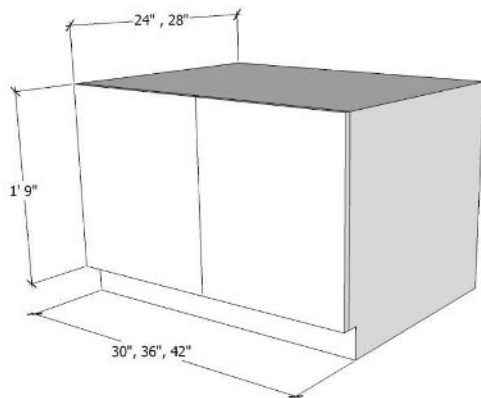
Our Door Drawer Base Cabinets are made to last a lifetime. These cabinets feature (1) 12" adjustable shelf. All sizes are available in both 24" and 27" depths.



## GRILL BASES

---

Our Grill Bases offer vents in front of the toe kick to allow for any gas leaks to be detected prior to lighting your grill. All Grill Bases are available with propane rollouts if specified. All sizes are available in both 24" and 27" depths.

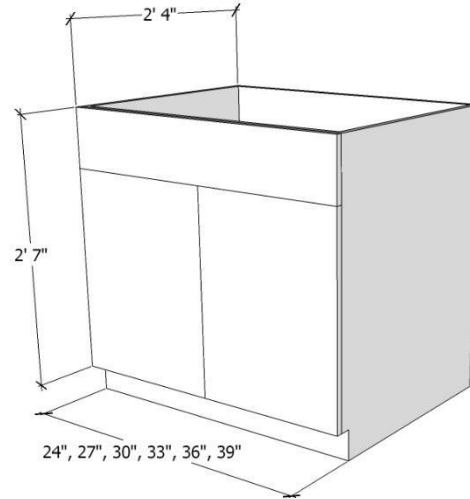
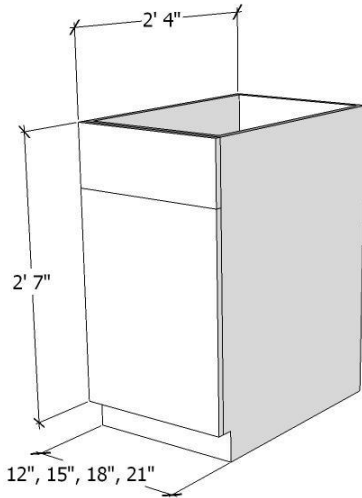


## PEDESTAL GRILL BASES

---

Our Pedestal Grill Bases offer vents in front of the toe kick to allow for any gas leaks to be detected prior to lighting your grill. All Grill Bases are available with propane rollouts if specified. All sizes are available in both 24" and 27" depths.

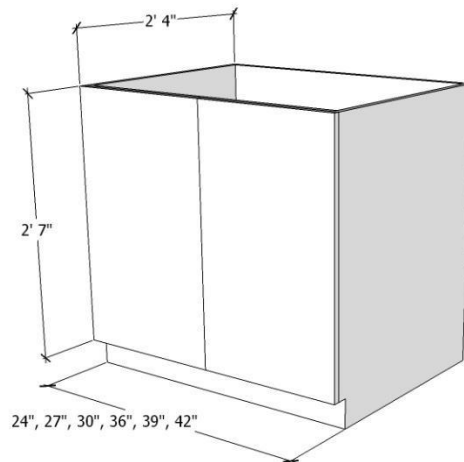
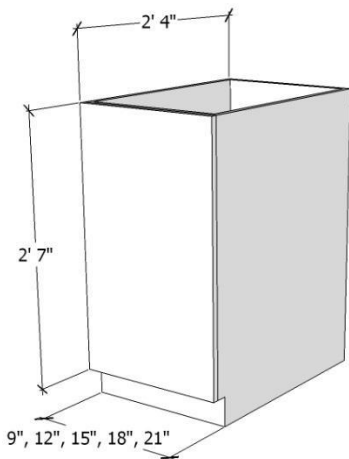
Add an N-PR (Propane Rollout Tray) for 20lb LP tanks. (N-PR18 for a 36" GB, N-PR21 for 42" GB, etc.)



## SINK BASES – FALSE FRONT

---

All sizes are available in both 24" and 27" depths.

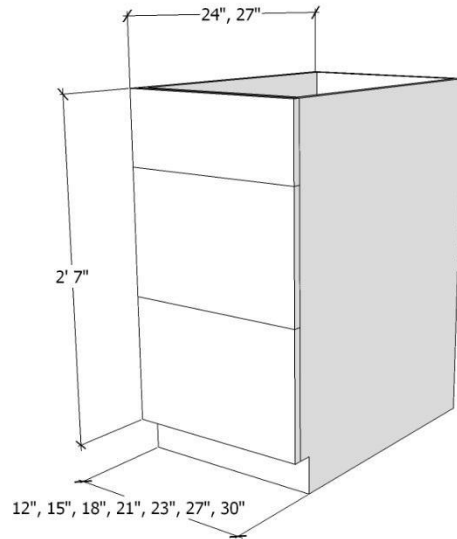


## FULL HEIGHT DOOR SINK BASES

---

Our Sink Bases offer vents in front of the toe kick to allow for any gas leaks to be detected prior to lighting your grill. All sizes are available in both 24" and 28" depths.

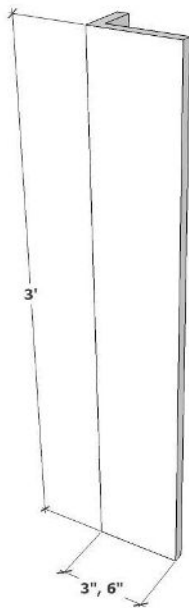




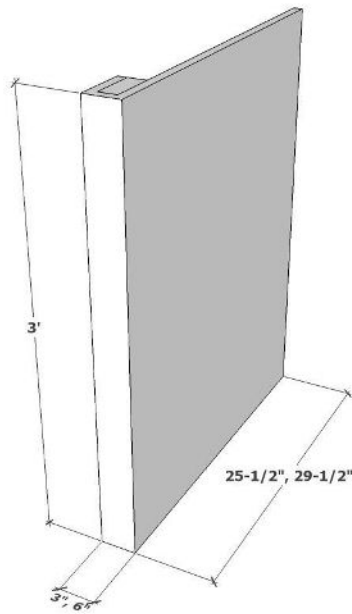
### 3 DRAWER BASES

Our Drawer Bases offer stainless drawer slides to handle the toughest climate conditions. All sizes are available in both 24" and 27" depths.

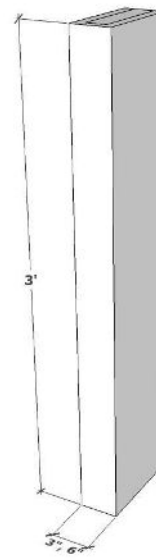
#### FILLERS



#### BASE END COLUMNS

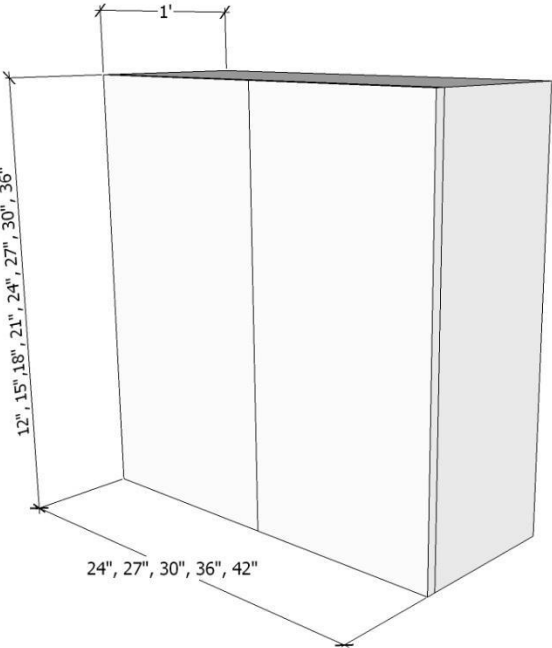
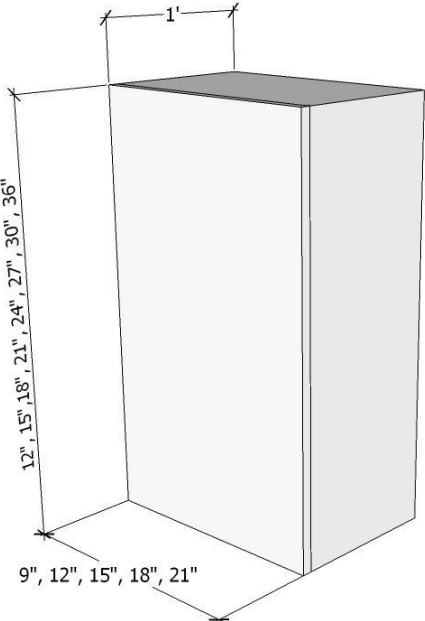


#### PILASTERS



# WALL CABINETS

---



# Gallery





# Modifications and Application Specific Upgrades

Modifications to the depth, height, and width of cabinets are available. Contact Nautilus Cabinetry, inc. for specific pricing for non-standard cabinet sizes.

Our Nautilus Cabinets are upgradable to MicroShield® polymer, which has an exclusive antimicrobial additive, the latest technology for protecting the product surface against stain and odor causing bacteria, algae and fungi.

Our Nautilus Cabinets are upgradable to FlameShield polymer, for ASTM E-84 Class A or B Flame/Smoke Compliance and CAN/ULC-S102 for Canadian Compliance.

Contact Nautilus Cabinetry, Inc. directly to learn more about these application specific upgrades.

## MATERIAL PROPERTIES

---

Properties	Units	ASTM	Nominal Values
Density	g/cc	D1505	0.963
Tensile Strength @ Yield	psi	D638	>4,500
Tensile Modulus	psi	D638	318,000
Elongation @ Break	%	D638	>600
Elongation @ Yield	%	D638	8.8
Flexural Modulus	psi	D790	225,000
Flexural Stress @ 5% Strain	psi	D790	4,480
Compressive Properties 10% Strain	psi	D695	4,790
Durometer	Shore D	D2240	69
Tensile Impact	ft.lbs./in.2	D1822	99
Izod Impact Resistance	ft.lbs./in.2	D256	1.4
Brittleness Temp.	°C (°F)	D746	<-75°C (<-103°F)
Vicat Softening	°C (°F)	D1525	132°C (270°F)
Heat Deflection Temp. 66 psi	°C (°F)	D648	84°C (183°F)
Screw and Nail Withdrawal	lbs	D1761	755 & 55
Flammability	Rating	UL94	HB

Our Nautilus cabinets are made with a unique and advanced polymer specifically developed to withstand the constant punishment of the sun, water, and weather conditions outdoor

[matt@chadwickoutdoorkitchens.com](mailto:matt@chadwickoutdoorkitchens.com) 1826 Trade Center Way, Naples, FL. 34109 P: (239)-598-1011 F: (239)-236-0210

kitchens endure. It will not warp, rot, or delaminate when exposed to high humidity or water. It will maintain its shape, color, and finish for the life of your outdoor cabinetry. Nautilus polymer cabinets are also chemically resistant. Most chemicals, like chlorine, will have little effect on the material, making Nautilus cabinets perfect for poolside bars and kitchens.

## Care & Maintenance

Keeping your Nautilus cabinets looking like new requires very little maintenance. The following tips on care and maintenance will help keep your cabinets in pristine condition.

- Keep teak oil and other wood preservatives and stains away from your cabinetry as they may permanently stain the polymer
- Rust stains are very difficult to remove from the polymer, especially the lighter colors. Keep items made from uncoated metals away from your Nautilus cabinets
- Certain tree saps and berries may permanently discolor your Nautilus cabinets. Wash frequently if your cabinetry is located under any trees or shrubs
- Nautilus polymer cabinets will melt if exposed to extreme heat. Do not subject the material to a consistent operating temperature over 150° Fahrenheit (65° Celcius). All grills installed in a Nautilus grill base requires an insulated jacket. Heat sources such as cigarettes can mar the finish
- Nautilus cabinets cannot be painted. Acrylic, latex, even polyurethane paint will not hold to the material for long
- The polymer used in Nautilus cabinets is heavy and dense, but will actually float. It is not scratch or gouge resistant
- Any high-quality silicone marine caulk works well to replace old or worn caulking. Before caulking, the surface should be prepared by abrading it with medium-grit sandpaper, then cleaning it with acetone, toluene or alcohol

## Cleaning

Cleaning Nautilus outdoor cabinetry is very simple:

- To clean everyday dirt, simply hose down your cabinets with a garden hose
- To remove excessive dirt build up, mildew, and mild stains, use a cleaner such as Soft Scrub® and a nylon scrubby or stiff nylon brush. Scrub lightly, excess force can mar the finish
- Also, stains and marks have been successfully removed with the following branded products: Goof Off®, Mr. Clean Magic Eraser®, and GOJO® Orange Pumice Hand Cleaner
- Persistent stains will usually go away if you soak the area with diluted bleach (avoid using 100% chlorine as use to treat swimming pools) and/or use a pressure washer
- To clean a petroleum stain, such as grease or oil, use a citrus cleaner, alcohol, or mineral spirits
- In severe cases, spray petroleum-based stains with WD40®. Then use toluene or acetone and a white nylon scrub pad (colored pads release staining dyes when combined with acetone)

## Warranty

Nautilus hereby warrants to the original consumer purchaser that its outdoor cabinets and related products and accessories are free from manufacturing defects and workmanship for the useful lifetime of the product. This warranty is not transferable and is for residential applications only. This warranty does not apply in the case of normal wear and tear, accidental misuse, abuse, or negligence, product modification, improper storage or improper installation. This warranty is expressly limited to repair or replacement of the defective part at the discretion of Nautilus, and does not include expenses incurred in the removal, shipment or installation for removal or replacement.